

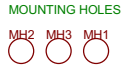
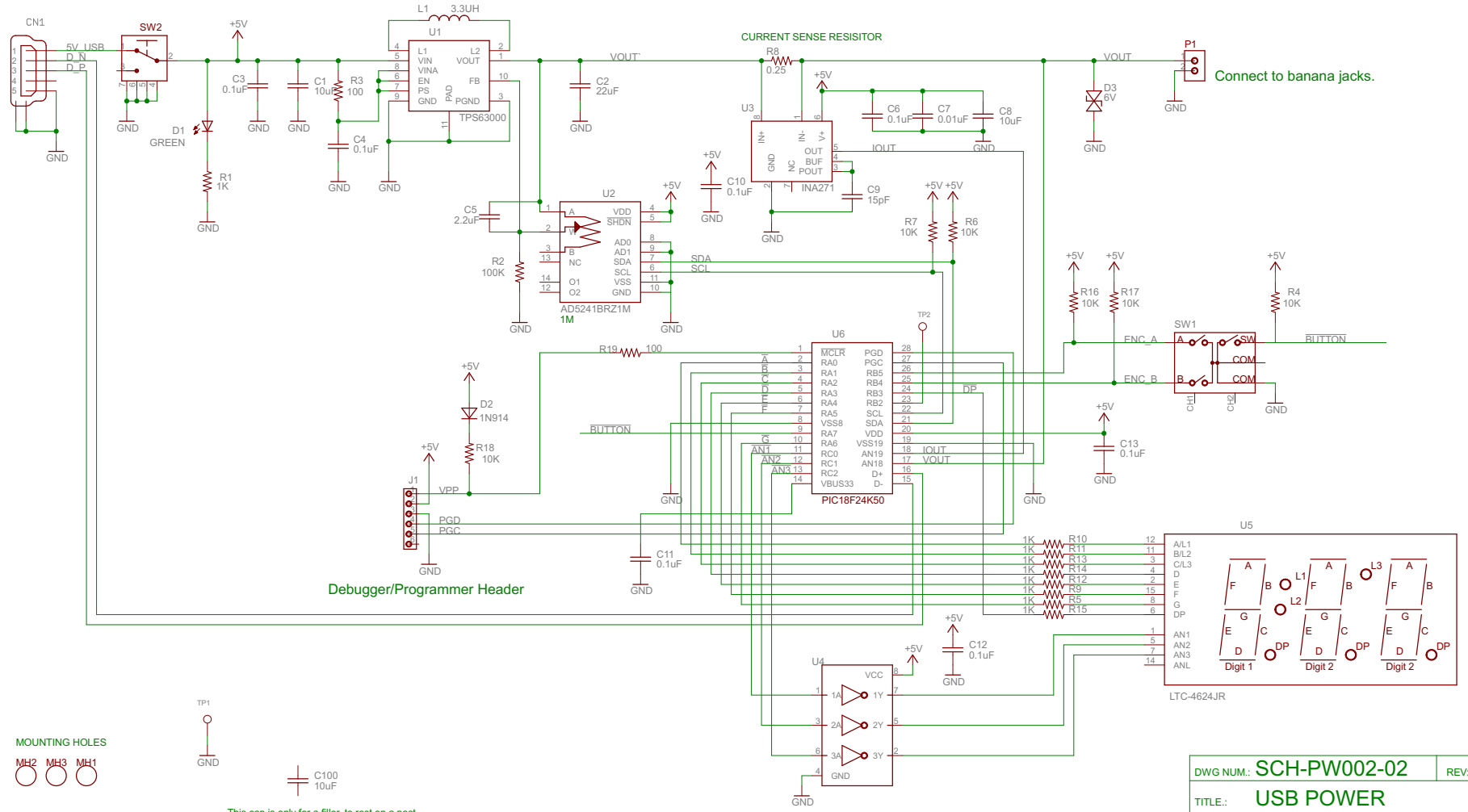
REV	DESCRIPTION	DATE
01	Initial design.	6/1/2013

ADJUSTABLE SWITCHING REGULATOR

CURRENT SENSE RESISTOR

Connect to banana jacks.

Debugger/Programmer Header



This cap is only for a filler, to rest on a post.

PACIFICWARE
COMPANY CONFIDENTIAL

DWG NUM.: SCH-PW002-02	REV: 01
TITLE: USB POWER	
DATE: 6/1/2013	SIZE: B
FILE: SCH-PW002-02_01.SCH	SHEET 1 OF 1